

R-PH1316T-GUN

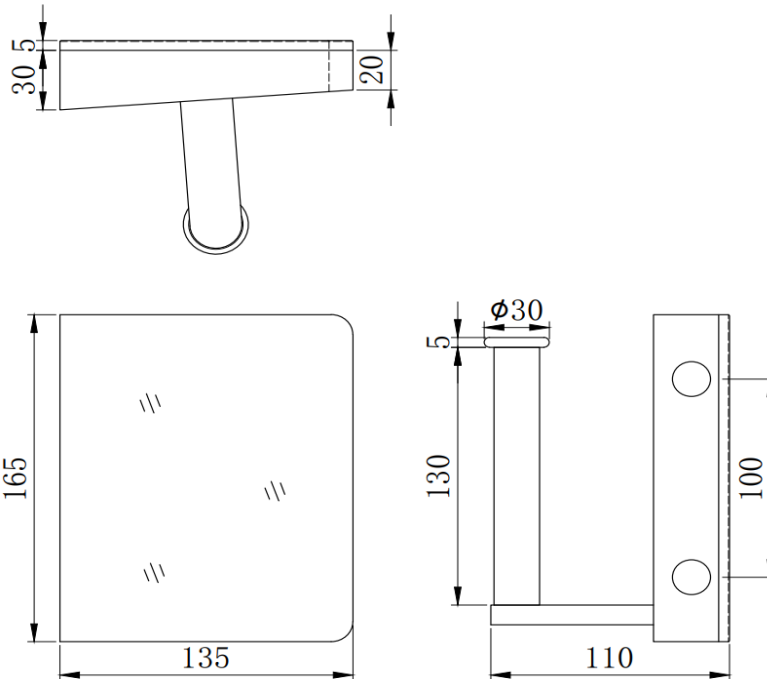
Single Paper Holder

PRODUCT SPECIFICATIONS

- Dimension : 165 (L) x 135 (W) x 110 (H) mm
- Material : Brass
- Finishing : Gun Metal



TECHNICAL DRAWING



Copyright © RIGEL TECHNOLOGY (S) PTE LTD. All rights reserved. Terms of Use.

Smart
Sanitary
Solutions

A World Renowned Sanitary Brand Powered By Smart Technologies

www.rigel-group.com

DISCLAIMER: While every effort has been made to ensure factual accuracy, the information presented is subject to changes due to requirements in different sites, markets and/or countries. Rigel reserves the right to make the necessary amendments at any time without prior notice.

Rev	0.1
Date	03.07.2023